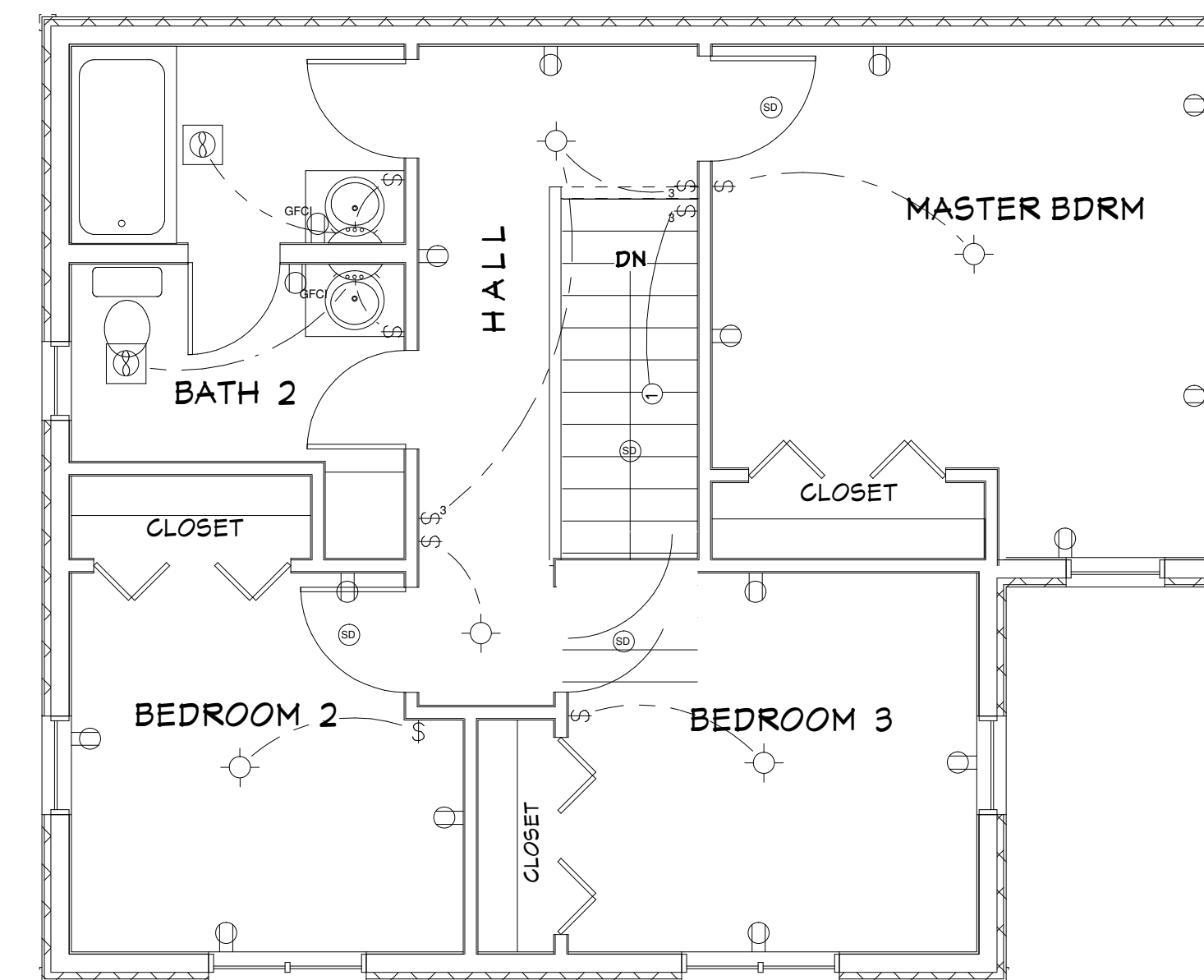
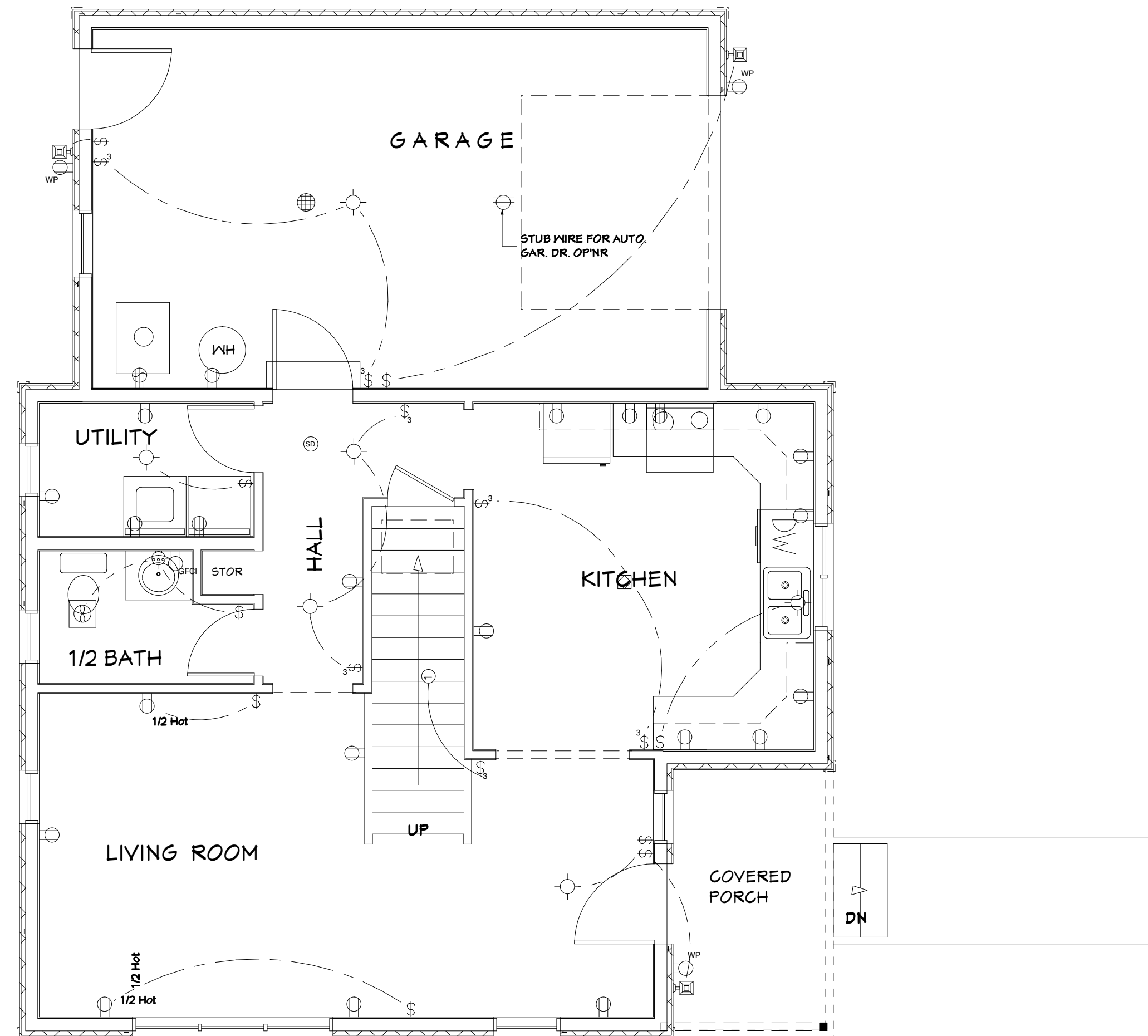
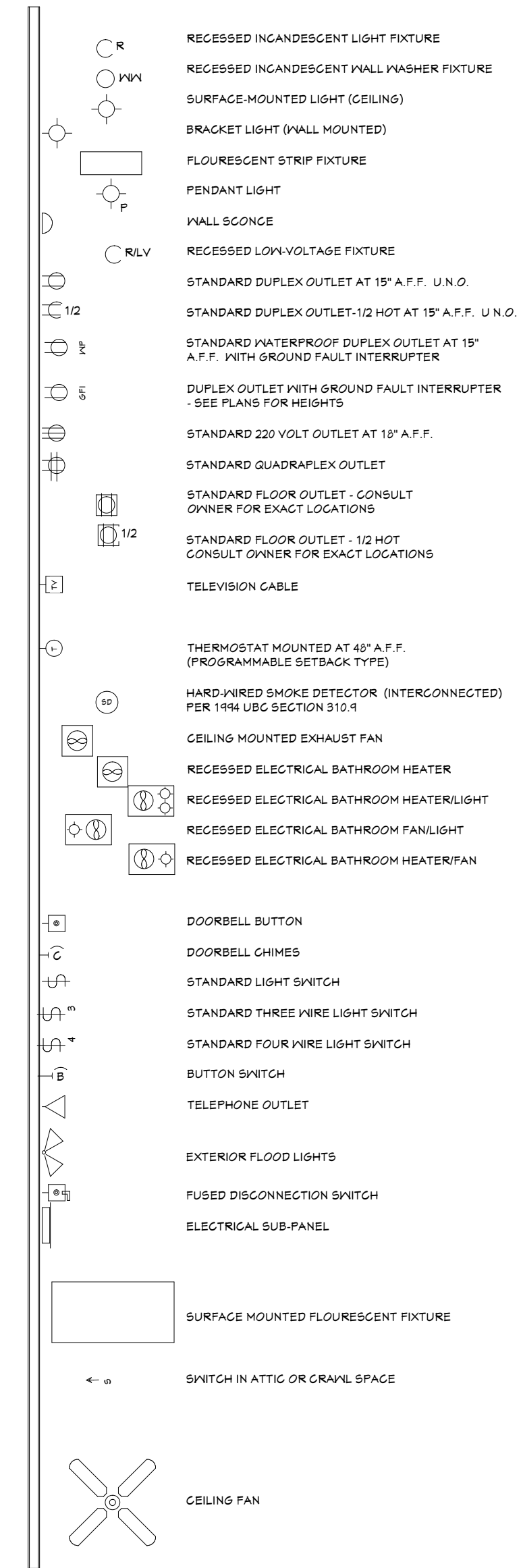


ELECTRICAL NOTES

LAYOUT ON PLANS IS FOR ILLUSTRATION PURPOSES.

1. ELECTRICAL PLAN IS A SUGGESTED LAYOUT. CONSULT WITH OWNER FOR SPECIALTY ELECTRICAL FEATURES SUCH AS CENTRAL VACUUM SYSTEM, INTERCOM, SECURITY SYSTEM, CABLE TELEVISION OUTLETS, PHONE OUTLETS, SPECIAL LIGHTING ETC., PRIOR TO CONSTRUCTION.
2. THE ELECTRICAL CONTRACTOR IS RESPONSIBLE TO PERFORM ALL ELECTRICAL WIRING AND INSTALLATIONS TO MEET ALL APPLICABLE STATE AND LOCAL CODE REQUIREMENTS, INDUSTRIAL STANDARDS, AND UTILITY COMPANY REQUIREMENTS.
3. PROVIDE GROUNDING SYSTEM AS PER N.E.C. ARTICLE 250, PART H.
4. PROVIDE BRANCH CIRCUITS AS PER N.E.C. ARTICLE 220 - 3.
5. CEILING MOUNTED SMOKE DETECTORS SHALL BE PROVIDED TO CONFORM WITH CURRENT LOCAL AND IRC 2000 REQUIREMENTS, ENERGIZED FROM HOUSE CURRENT.
6. ELECTRICAL CONTRACTOR IS RESPONSIBLE TO SUPPLY LATERAL SERVICE TO BUILDING AND TO PROVIDE POWER TO ALL MECHANICAL SYSTEMS AND APPLIANCES AS REQUIRED PER MANUFACTURERS' SPECIFICATIONS.
7. ALL ELECTRICAL FIXTURES ARE TO BE INSTALLED ACCORDING TO MANUFACTURERS' SPECIFICATIONS.
8. ALL ELECTRICAL OUTLETS SHALL BE LOCATED 12" ABOVE THE CENTER OF THE BOX FROM THE SUB-FLOOR. U.N.O.
9. OUTLETS LOCATED OVER COUNTERS SHALL BE 2" ABOVE THE HEIGHT OF THE SPLASH TO THE BOTTOM OF BOX MOUNTED HORIZONTALLY TYPICAL, OR 6" WHERE SPLASH IS NOT USED. U.N.O.
10. PROVIDE A METAL BOX AT ALL 220 VOLT OUTLETS.
11. PROVIDE GFI (GROUND FAULT INTERRUPTERS) FOR ALL OUTLETS INSTALLED IN BATHROOMS, GARAGES, OUTDOORS, AND AREAS WHERE WATER MAY BE PRESENT.
12. LOCATE COMMON WALL JUNCTION BOXES SERVICING TWO SPACES IN SEPARATE STUD BAYS.
13. CONDUCTORS SHALL BE ANNEALED COPPER, INSULATED, SIZED AS REQUIRED, INSTALLED IN RIGID METALLIC CONDUIT (RSC) OR METALLIC TUBE (EMT) AS REQUIRED. ALUMINUM CONDUCTORS WILL NOT BE PERMITTED.
14. PROVIDE SWITCH TO LIGHT AND OUTLET AT ALL CRAWL SPACES AND ATTIC ACCESS LOCATIONS.
15. AT LEAST ONE ELECTRICAL OUTLET SHALL BE INSTALLED AT ALL COUNTER SPACES, OTHER THAN KITCHEN, WHICH SHALL HAVE MORE AS SHOWN OR REQUIRED.
16. EXTERIOR OUTLETS SHALL BE GROUNDED AND WATERPROOF.
17. VERIFY LOCATIONS OF ANY DEDICATED CIRCUITS WITH PROTECTION DEVICES FOR PERSONAL COMPUTERS PRIOR TO COMMENCING WORK.
18. PROVIDE TWO MINIMUM SEPARATE 20 AMP CIRCUITS TO KITCHEN APPLIANCES.
19. PROVIDE ONE MINIMUM 20 AMP CIRCUIT TO LAUNDRY APPLIANCES.
20. PROVIDE AIRTIGHT OUTLET BOXES IN ALL EXTERIOR WALLS & CEILINGS.
21. ELECTRICAL PENETRATIONS THROUGH RIM JOISTS, AT EXTERIOR WALL PARTITION TAKEOFFS AND TOP PLATES ON EXTERIOR CEILINGS MUST BE SEALED CAREFULLY TO STOP AIR LEAKAGE.
22. LIGHTING FIXTURES LOCATIONS AND APPROACHES SHOULD BE SELECTED IN CONJUNCTION WITH DAYLIGHTING DESIGN. ENERGY EFFICIENT LIGHTING FIXTURES, BULBS AND CONTROLS SHOULD BE USED WHEREVER POSSIBLE.
23. SEALING DETAILS SHOULD FOLLOW ENERGY & ENVIRONMENTAL BUILDING ASSOCIATIONS (EEBA) BUILDERS' GUIDE FOR COLD CLIMATES.
24. ENERGY EFFICIENT APPLIANCES ARE ENCOURAGED.

ELECTRICAL LEGEND



DATE: 10/29/2001
 SCALE:
 DRAWN BY: JF LOPEZ
 DESIGNED BY: HEBERT CCHRC

COLD CLIMATE HOUSING RESEARCH CENTER
CCHRC
 www.cchrc.org
 515 - 7th AVENUE
 FAIRBANKS, ALASKA
 PH: (907) 457-3454 FAX: (907) 457-3456

ELECTRICAL PLANS

REGION
 INTERIOR ALASKA
 SO. CENTRAL ALASKA
 SOUTHEAST ALASKA

Building AMERICA IN ALASKA

SHEET
E - 1
 OF 9