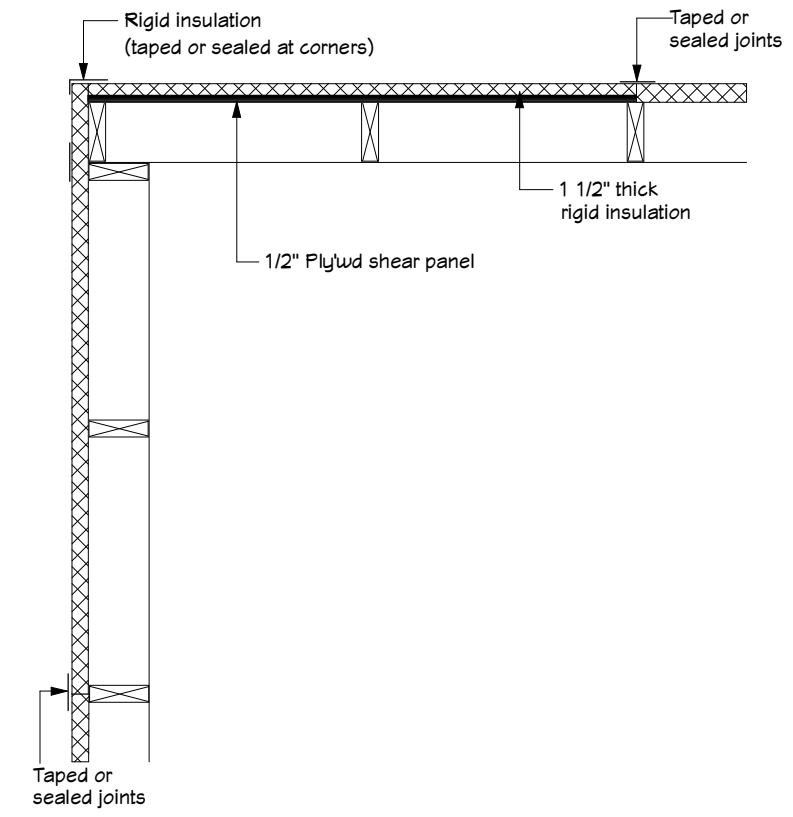
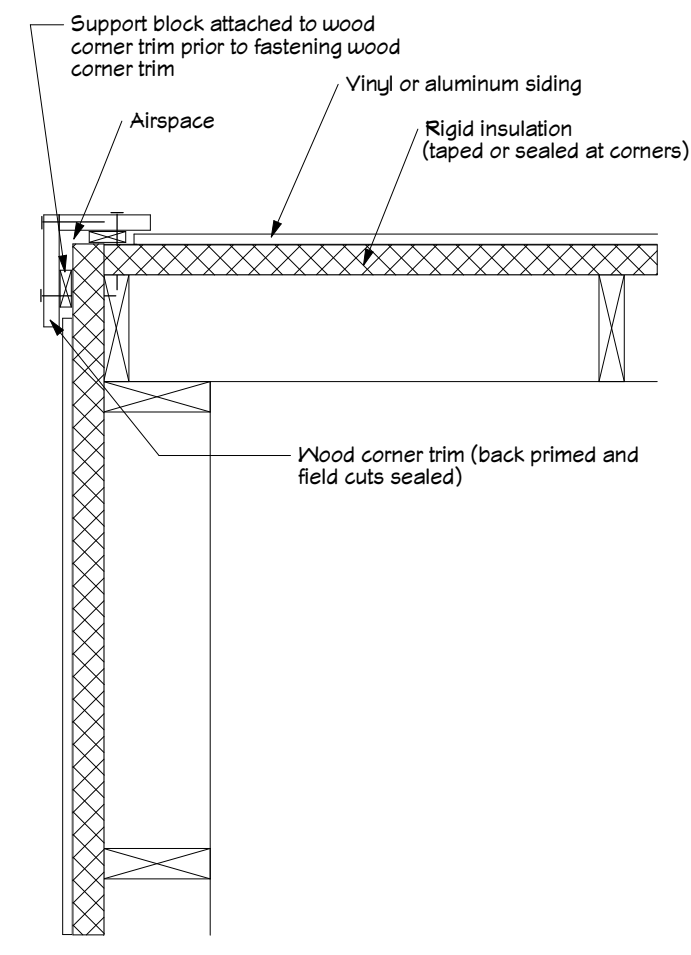


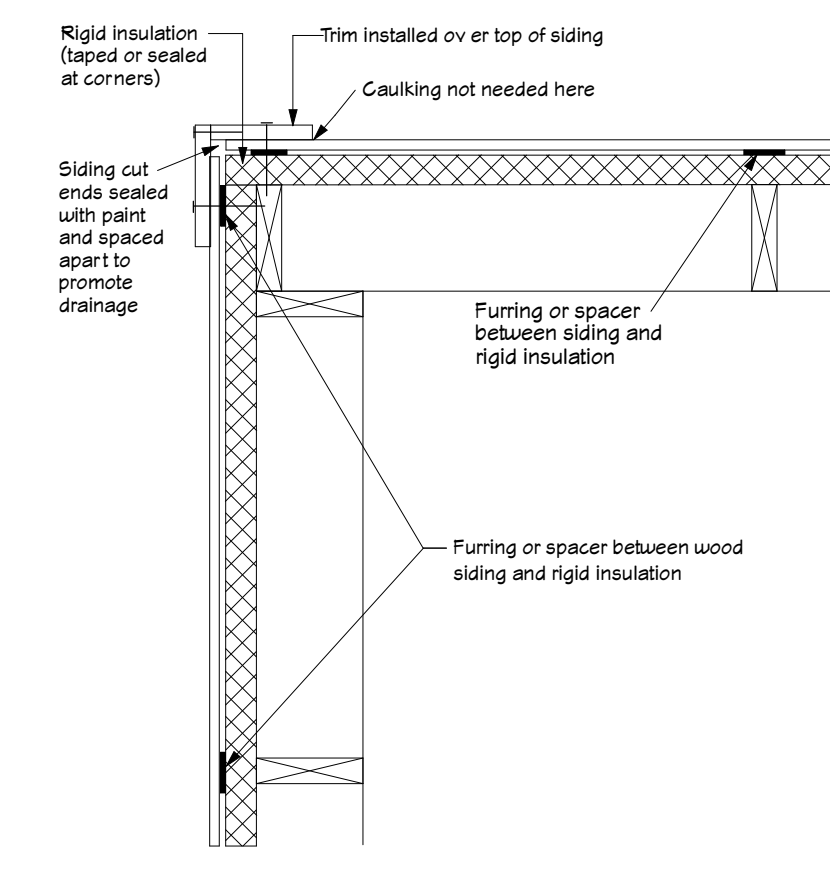
1 SHEAR PANEL DETAIL



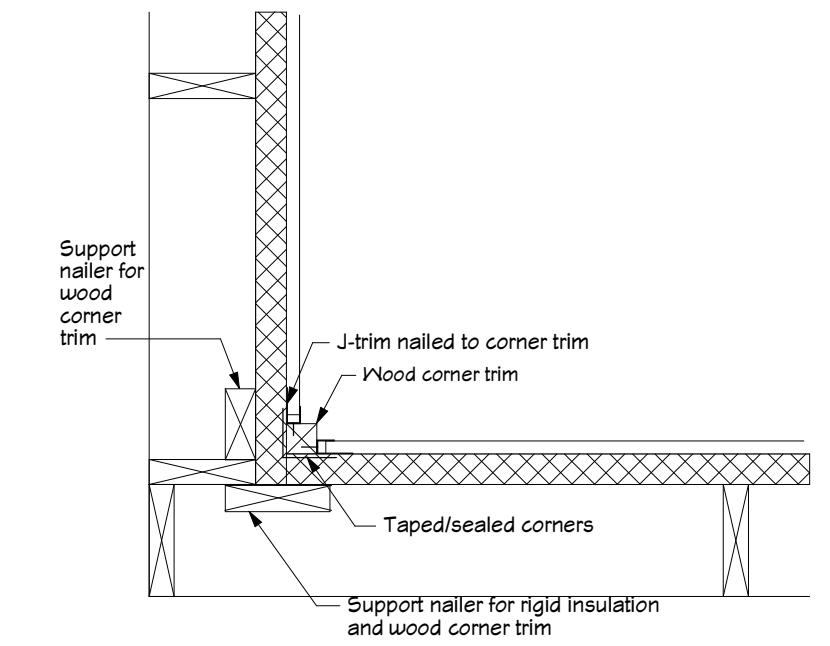
2 CORNER DETAIL



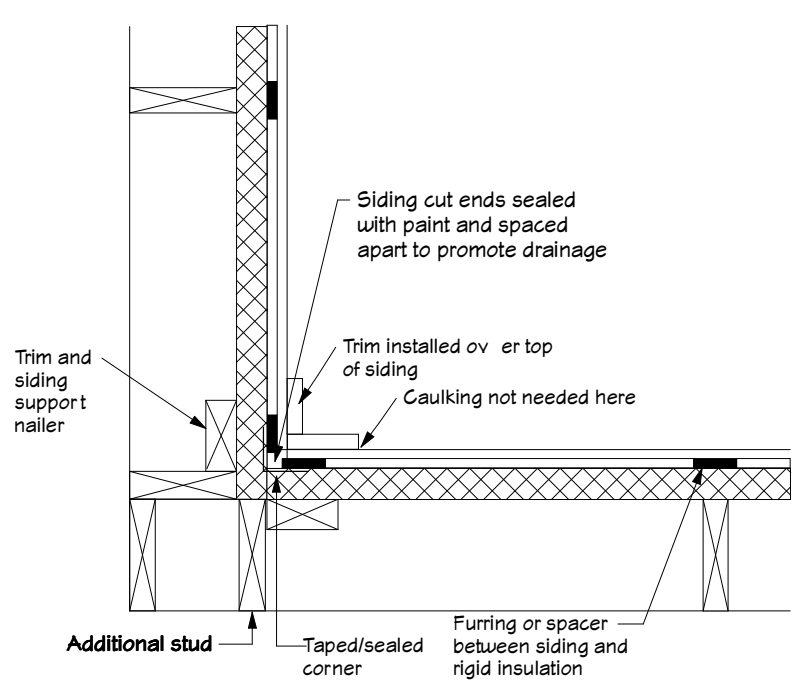
3 OUTSIDE CORNER TRIM DTL VINYL OR STEEL SIDING



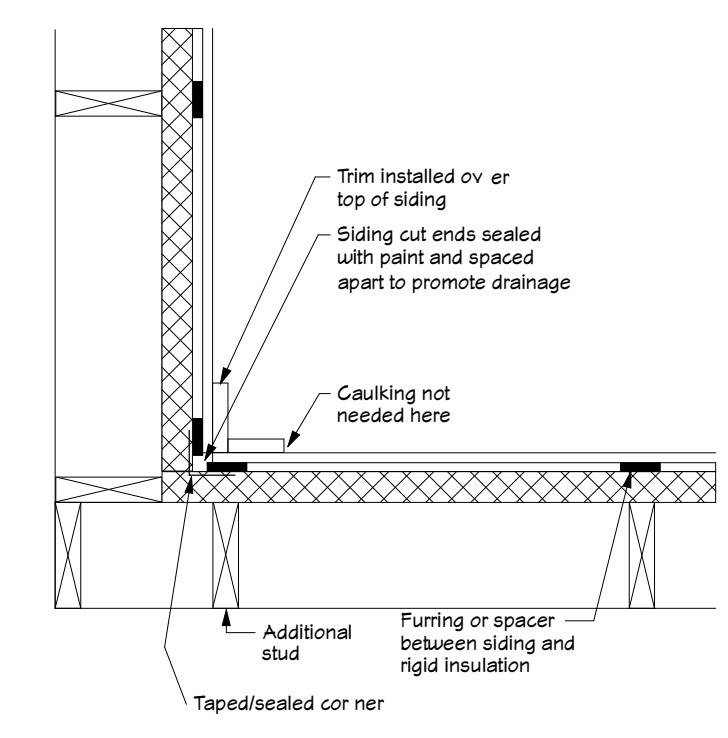
4 OUTSIDE CORNER DETAIL WOOD SIDING



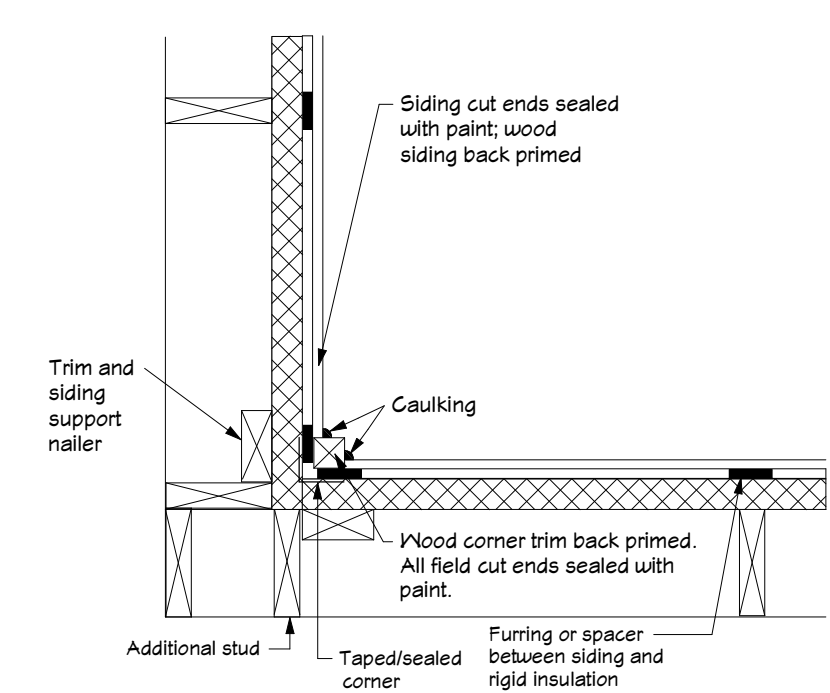
5 INSIDE CORNER DETAIL VINYL OR STEEL SIDING



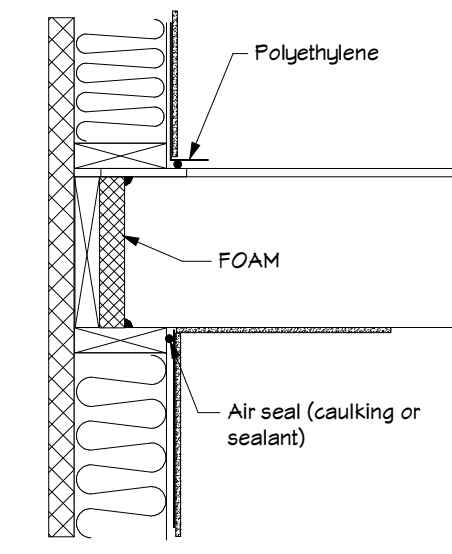
6 INSIDE CORNER DETAIL WOOD SIDING



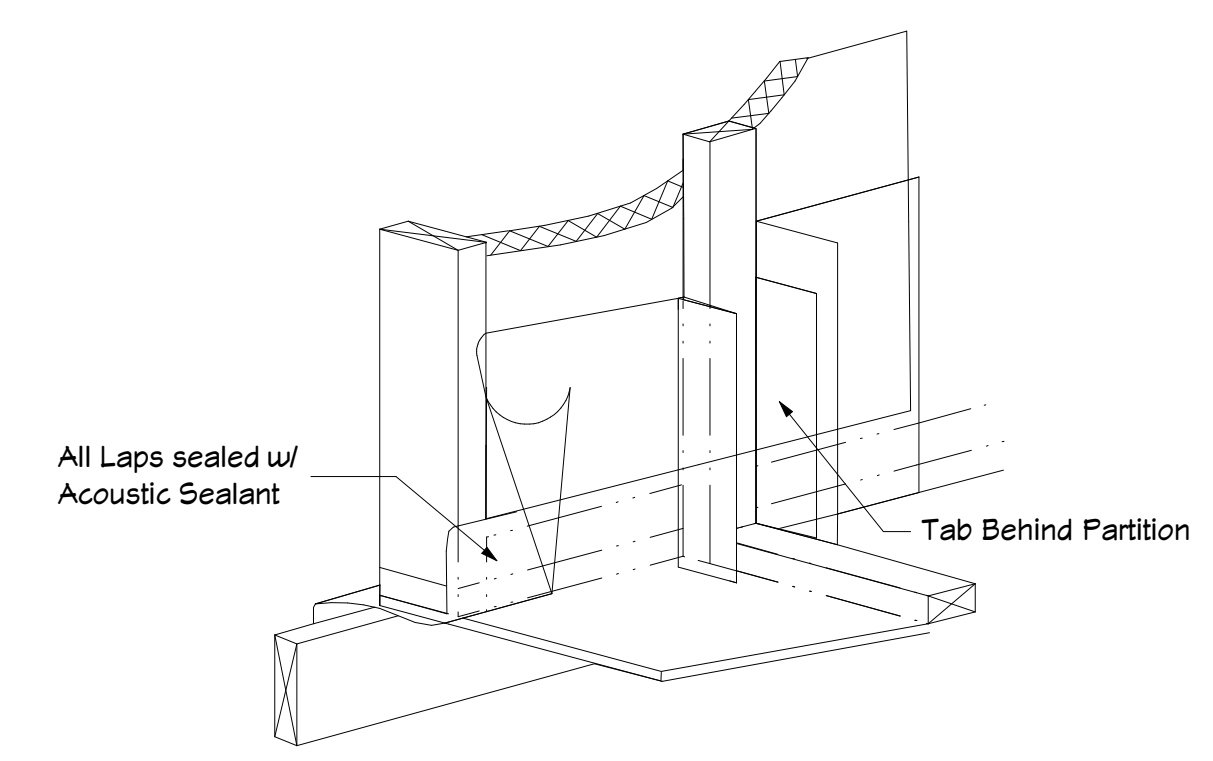
7 INSIDE CORNER DETAIL OPTION



8 INSIDE CORNER WOOD SIDING



9 SEALANT DETAIL



10 POLY DETAIL